

Spring Loaded Terminal Block

MIEPL make MTT09 Thermocouple are the most common, convenient, and versatile devices used to measure temperature. They convert units of heat into useable engineering units that serve as input signals for process controllers and recorders. A thermocouple consists of a welded 'hot' junction between two dissimilar metals, usually wires and a reference junction at opposite ends of the parent materials. Mainly used in Power, Chemical, steel and Oil Industries.



FEATURES

- Mineral insulated
- Spring loaded design
- Ceramic block with Ni-plated or Silver plated terminals

APPLICATION

- Spares / Replacements

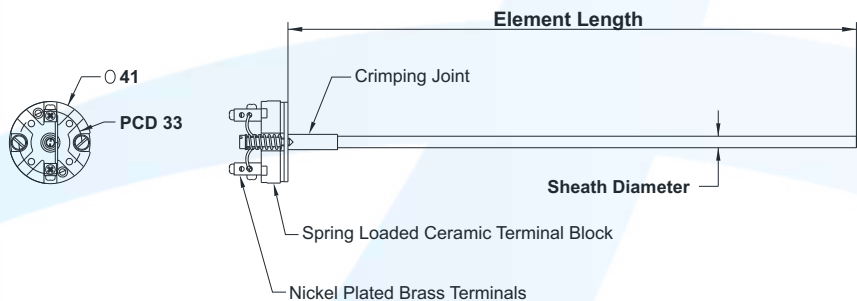
REFERENCE

- IEC-584.2 / ANSI MC-96.1

STANDARD SPECIFICATIONS

Element	: Type K (NiCr-Ni)
Accuracy	: Standard to ISA & ANSI MC96.1
No. of sensors	: Simplex
Hot junction	: Ungrounded
Sheath material	: AISI 316 SS
Sheath diameter	: 6.0 mm
Cold End Termination	: Spring Loaded Terminal Block (OD = 41 mm, PCD = 33 mm)
Total length	: 150 mm

DRAWING



ORDERING CODE

MTT09 - **K** - **P** - **V** - **U** - **MF** - **M60** - **KY**

1. ELEMENT	Type K (NiCr-Ni)	K					
	Type J (Fe-CuNi)	J					
	Type N (NiCrSi-NiSi)	N					
	Type E (NiCr-CuNi)	E					
	Type T (Cu-CuNi)	T					
	Type R (Pt-13%Rh/Pt)	R					
	Type S (Pt-10%Rh/Pt)	S					
	Type B (Pt/30%Rh-Pt/6%Rh)	B					
2. ACCURACY	Standard	P					
	Special	Q					
3. NO. OF SENSORS	Simplex		V				
	Triplex			X			
	Duplex			W			
4. HOT JUNCTION	Ungrounded			U			
	Grounded				G		
5. SHEATH MATERIAL	AISI 316 SS				MF		
	AISI 310 SS					ME	
	AISI 316L SS					MG	
	Inconel 600					MQ	
6. SHEATH DIAMETER	3.0 mm						M30
	5.0 mm						M50
	6.0 mm						M60
	8.0 mm						M80
7. COLD-END TERMINATION	Terminal block, spring loaded Ø41mm / PCD33mm						KY
	Terminal block, spring loaded Ø55mm /						KZ
8. ELEMENT LENGTH (EL)	50 mm up to 10,000 mm						XXXXX
9. OTHER OPTIONS	Calibration Certificate						SB
	Tag plate, AISI 304 SS						WF

Ordering Example : MTT09 - **K** - **P** - **V** - **U** - **MF** - **M60** - **KY**

1. Other sheath diameters, connections are available, please contact factory for details..